



ADDENDUM NO. 1

INVITATION FOR BID
FOR
BUS BRAKE SYSTEM PARTS

IFB NO: 2018-FP-16

Date Issued: November 26, 2018

INSTRUCTIONS:

- (1) BIDDER is required to comply with this Addendum No. 1.
- (2) This Addendum No. 1 becomes a part of this Invitation for Bid.
- (3) **BIDDER is required to acknowledge this Addendum No. 1 in the proper place on the Certification and Statement of Qualifications form.**
- (4) For additional information, please contact Annie Hinojosa, Director of Procurement or Sherrié Clay, Procurement Administrator at (361) 289-2712.

This Addendum No. 1 is issued to make the following changes and clarifications on IFB No. 2018-FP-16:

1. The CCRTA has revised the Price Schedule (Appendix A). Please refer to the Revised Price Schedule (Appendix A) attachment on the CCRTA's website at <https://www.ccrta.org/news-opportunities/business-with-us/> under the IFB.

Note: Bids must be submitted using the Revised Price Schedule in order for it to be deemed as responsive. Any bids submitted using the old Price Schedule will be deemed non-responsive and will not be considered for award.

The revisions to the Price Schedule (Appendix A) include the following:

- 1) The Instructions tab includes the following additions:
 - **A contract for this solicitation will be awarded to the most responsive and responsible bidder that can provide all parts listed at the lowest price. Bidders are to bid on all items, otherwise your bid may be deemed as non-responsive.**
 - **Bidders are only allowed to bid on one Current Part Number on Item Numbers with multiple Current Part Numbers per CCRTA Part Number.**

2) The Price Schedule Tab includes the following revisions:

- **Several parts have been removed from the Revised Price Schedule that are no longer needed.**
- **The Price Schedule has been revised to consolidate all Current Part Numbers associated with the CCRTA's Part Number. The quantity in the Revised Price Schedule is an average of all the Current Part Numbers that have been ordered in the past. This solicitation will be awarded to only one vendor. As a result, the CCRTA will be ordering from the part number that is listed in the submitted Revised Price Schedule. Bidders are only allowed to bid on one Current Part Number on Item Numbers with multiple Current Part Numbers per CCRTA Part Number.**

2. The CCRTA's response to Neopart Transit LLC's RFI submissions are as follows:

APPENDIX I

REQUEST FOR INFORMATION/EXCEPTIONS/APPROVED EQUALS REQUEST

(Please submit one form for each Request for Information/exception/approved equal)

Page: 1


VENDOR: Neopart Transit

PROJECT: IFB No. 2018-FP-16

PAGE: X PARAGRAPH: X SUBJECT: Award

Request:

Will this bid be awarded to multiple vendors or is it winner take all?



Signature

FOR CCRTA USE

Approved: _____ Disapproved: _____ Clarification: X

Response:

A contract for this solicitation will be awarded to the most responsive and responsible bidder that can provide all parts listed at the lowest price. No escalation in price will be permitted over the term of the contract. Contract awarded to one bidder.



Chief Executive Officer/Designee

APPENDIX I

REQUEST FOR INFORMATION/EXCEPTIONS/APPROVED EQUALS REQUEST

(Please submit one form for each Request for Information/exception/approved equal)

Page: 2

VENDOR: Neopart Transit

PROJECT: IFB No. 2018-FP-16

PAGE: X

PARAGRAPH: X

SUBJECT: part numbers

Request:

can you release all available cross references for the parts on this contract?

[Signature]
Signature

FOR CCRTA USE

Approved: _____ Disapproved: _____ Clarification: X

Response:

All approve cross references number which are approved by CCRTA are listed on the bid tabulation sheet.

[Signature]
Chief Executive Officer/Desianee

APPENDIX I

REQUEST FOR INFORMATION/EXCEPTIONS/APPROVED EQUALS REQUEST

(Please submit one form for each Request for Information/exception/approved equal)

Page: X

VENDOR: Neopay + Trans+

PROJECT: IFB No. 2018-FP-16

PAGE: X

PARAGRAPH: X

SUBJECT: lost paid

Request:

Can you release prior bid tabulation for the partson
This contract



Signature

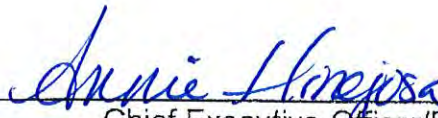
FOR CCRTA USE

Approved: X

Disapproved:

Clarification:

Response: The prior bid tabulation has been uploaded to the CCRTA's website.



Chief Executive Officer/Designee

APPENDIX I

REQUEST FOR INFORMATION/EXCEPTIONS/APPROVED EQUALS REQUEST

(Please submit one form for each Request for Information/exception/approved equal)

Page: _____

VENDOR: MOHAWK MFG. & SUPPLY CO.

PROJECT: IFB No. 2018-FP-16

PAGE: _____ PARAGRAPH: _____ SUBJECT: APPROVED EQUAL REQUEST

Request: PLEASE SEE ATTACHED.



Signature

FOR CCRTA USE

Approved: X Disapproved: _____ Clarification: _____

Response:



Chief Executive Officer/Designee

3. The CCRTA's response to Mohawk Mfg. & Supply Co.'s RFI submissions are as follows:

APPENDIX I

REQUEST FOR INFORMATION/EXCEPTIONS/APPROVED EQUALS REQUEST

(Please submit one form for each Request for Information/exception/approved equal)

Page: _____

VENDOR: MOHAWK MFG. & SUPPLY CO.

PROJECT: IFB No. 2018-FP-16

PAGE: _____ PARAGRAPH: _____ SUBJECT: APPROVED EQUAL REQUEST

Request: PLEASE SEE ATTACHED.



Signature

FOR CCRTA USE

Approved: _____ Disapproved: _____ Clarification: _____

Response:

Chief Executive Officer/Designee

**MOHAWK MFG & SUPPLY CO APPROVED EQUAL REQUEST
CORPUS CHRISTI REGIONAL TRANSIT AUTHORITY
IFB NO. 2018-FP-16**

Item No.	CCRTA Part No.	PART DESCRIPTION	Current Part No.	Manufacturer	Manufacturer No.	Notes
2	BRK-011	BOLT REAR DRUM	191914	MOHAWK	191914	CCRTA HAS PURCHASED MANY TIMES INCLUDING 9/2018
5	BRK-040	KIT BRAKE SPRING FRT	T-BK-6488HD	MOHAWK	6330167	CCRTA PURCHASES REGULARLY
9	BRK-130	BUSHING CAMSHAFT	4C-4-39-CG	MOHAWK	2473988	
11	BRK-132	WASHER SPACING	12295747	MOHAWK	2012242	CCRTA PURCHASED IN 2016 ONLY
19	BRK-161	VALVE RELAY R12 5.5 PSI	04-42849-000	MOHAWK	5015879	CCRTA PURCHASED 6/2018
20	BRK-163	BUSHING BRAKE SHOE	82-03291-000	MOHAWK	N8889008	
26	BRK-294	EXCITER RING FRT ABS	3237 Y 1195	MOHAWK	N8889025	
30	BRK-319	SEAL BRAKE CAMSHAFT	4F-4-14	MOHAWK	2025816	CCRTA PURCHASED 1/2018
33	BRK-338	CAMSHAFT LH FRONT	82-19640-003	MOHAWK	82-19640-003	CCRTA HAS PURCHASED IN 2018 INCLUDING 10/2018
36	BRK-339	CAMSHAFT RH FRONT	82-19651-003	MOHAWK	82-19651-003	CCRTA PURCHASED 11/2017
37	BRK-344	CAMSHAFT LH	82-06793-001	MOHAWK	82-06793-001	CCRTA PURCHASED IN 2017 AND 8/2018
38	BRK-345	CAMSHAFT RH	82-06793-000	MOHAWK	82-06793-000	
53	BRK-406	BRAKE KIT REAR	KSR6104728CP1	MOHAWK	MBK-3167	
61	BRK-419	VALVE BRAKE SPRING CONTROL SR1	53-00467-000	MOHAWK	717894	
64	BRK-450	KIT BRAKE SPRING REAR	KIT 6065	MOHAWK	MO-KIT6065	
69	BRK-489	BRAKE SHOE RR W/O LINING	82-01383-000	MOHAWK	2487930	
70	BRK-495	BUSHING S-CAM BRASS	82-03295-000	MOHAWK	2473988	
71	BRK-510	WASHER .031 THICK	82-04878-000	MOHAWK	82-04878-000	SAME AS LINE 9 ABOVE PURCHASED 3/2018
75	BRK-556	EXCITER ABS RR AXLE	82-15537-000	MOHAWK	G1092210	
76	BRK-576	CAMSHAFT LH	82-19640-003	MOHAWK	82-19640-003	SAME AS LINE 33 ABOVE
77	BRK-582	CAMSHAFT RH	82-19651-003	MOHAWK	82-19651-003	SAME AS LINE 36 ABOVE
79	BRK-718	DRUM FRONT	82-32825-002	KIC	82-24490-000	

- *** FOR EACH ITEM ABOVE A PRODUCT INFORMATION SHEET IS ATTACHED, EXCEPT WHERE NOTED
- *** ALL ITEMS ABOVE ARE MANUFACTURED TO THE OEM SPECIFICATIONS
- *** MOST ITEMS HAVE BEEN SOLD BY MOHAWK FOR YEARS TO TRANSIT AGENCIES ACROSS THE US AND CANADA. REFERENCES CAN BE PROVIDED UPON REQUEST.
- *** SAMPLES CAN BE PROVIDED UPON REQUEST
- *** WARRANTY POLICY IS ATTACHED
- *** WHERE CCRTA HAS PURCHASED BEFORE, PO NUMBER CAN BE PROVIDED.

FOR ANY QUESTIONS, PLEASE CONTACT CHELSEA CAMPBELL AT 847.636.9602 OR CCAMPBELL@MOHAWKMFG.COM



MOHAWK MFG. & SUPPLY CO.

7200 N. OAK PARK AVENUE
NILES, IL 60714
847-647-9350, Fax: 847-647-1592

Product Information Sheet SCREW

FLY	GLG	NOVA	MCI
5960276	82-03222-000	127739 191914	15-3-26

NEO	ORN	PRV
AK0800001-038	A0102502GD A0102507CD	610747



Product Information:

- TOTAL LENGTH: 1"
- THREAD: 1/2-13
- THREAD LENGTH: 0.75"
- PHILLIPS HEAD



MOHAWK MFG. & SUPPLY CO.

7200 N. OAK PARK AVENUE

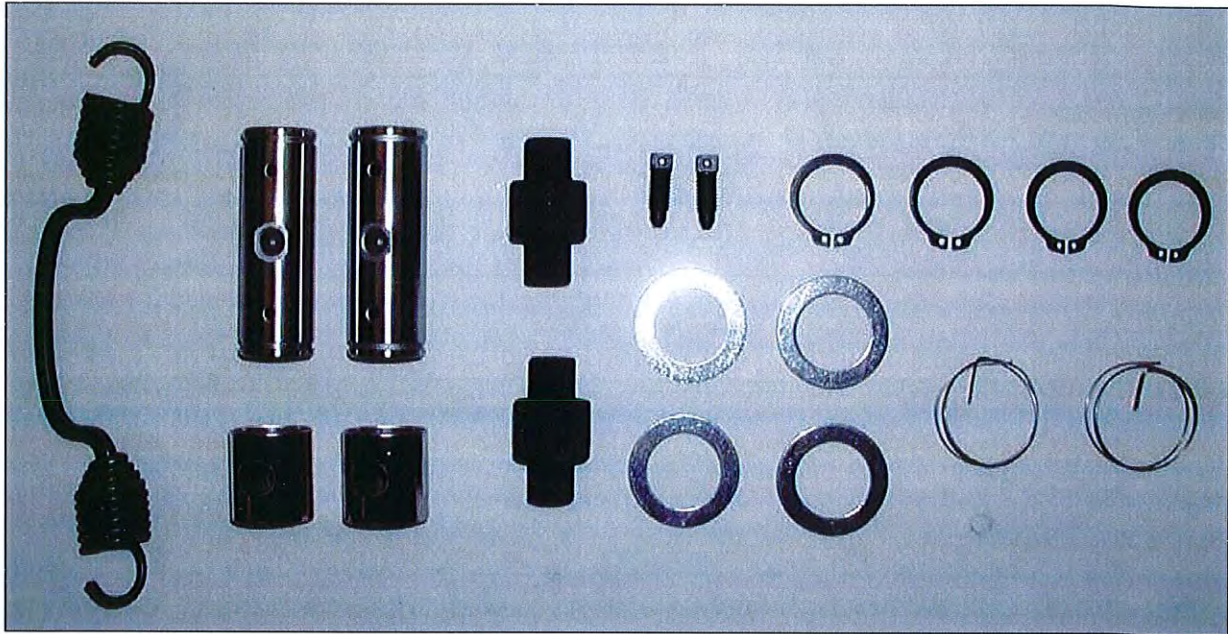
NILES, IL 60714

847-647-9350, Fax: 847-647-1592

Product Information Sheet

BRAKE KIT

FLY	RWL
6330167	KIT8846HD



Product Information:

- PARTS INCLUDED IN KIT
 - (2) N8888893 – ANCHOR PIN
 - (2) 6300809 – BUSHING
 - (2) N8888880 – SET SCREW
 - (2) N8889074 – LOCK WIRE
 - (4) N8888894 – WASHER
 - (4) 2084253 – RING
 - (1) N8888878 – SPRING
 - (2) 82-19602-009 – ROLLER



MOHAWK MFG. & SUPPLY CO.

7200 N. OAK PARK AVENUE
 NILES, IL 60714
 847-647-9350, Fax: 847-647-1592

Product Information Sheet

BUSHING

FLX	FLY	GLG	GMC	MCI
3-108-61	5960260 5960260NFA	82-03295-000	2473988 G1092150 G1092184	4-4-34 4C-4-39 4C-1-45

NEO	ORN	PREVOST	RWL
AK0700001-013 AK0700001-309 AK0700001-317 AK0800001-089 NIQ00406	A0101502NE A0102502NE	610699	1225R512



Product Information:

- MATERIAL: SAE 660 BRONZE
- LEFT HAND AND RIGHT HAND HELICAL COIL GROOVES 1/8" WIDE x 1/16" DEEP.

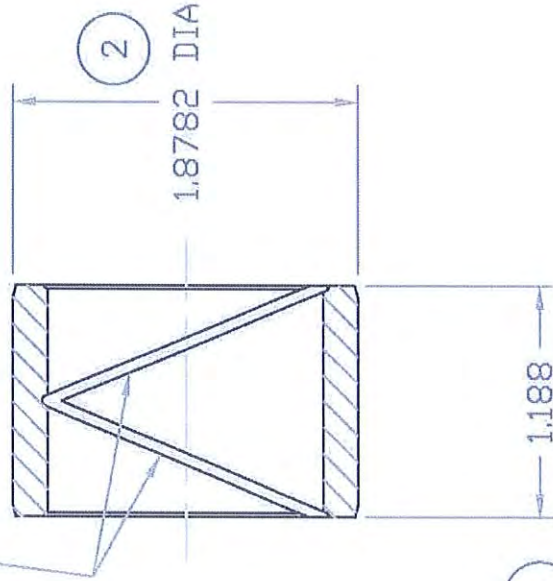
2473988

REVISIONS

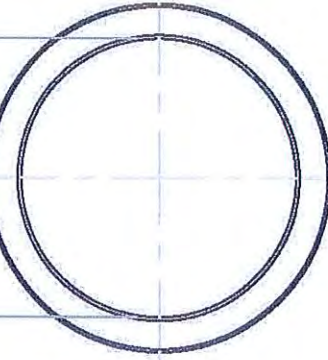
LTR NO.	DESCRIPTION	DATE
C1	CUSTOMER PRINT	04/27/11

L.H. & R.H. HELICAL OIL GROOVES

4



2



1

3

NOTES:

1. ECCENTRICITY NOT TO EXCEED .003
2. RANDOM SEAMS OR LAPS ON EITHER DIAMETER ARE PERMISSIBLE.

MATERIAL:	SAE 660 BRONZE	THIS DRAWING CONTAINS PROPRIETARY INFORMATION WHICH MAY NOT BE DIVULGED OR USED IN ANY WAY DETRIMENTAL TO THE INTEREST OF THE ORIGINATOR	DRAWN BY:	RWS	APPROVED BY:	FW	SCALE:	FULL
HEAT TREATMENT:	NONE	TOLERANCE ON DIMENSIONS UNLESS OTHERWISE SPECIFIED	DATE:	05/28/70	DATE:	05/28/70	SIZE:	A
SURFACE TREATMENT:	NONE	3 PLACE DECIMALS ±.005 FRACTIONS ±1/64 ANGULAR ±1/2°	PART NO.:	2473988				

2473988



MOHAWK MFG. & SUPPLY CO.
 7200 N. OAK PARK AVE. NILES, ILLINOIS 60714
 (847) 647-9350, FAX (847) 647-1592

DIMENSIONAL COMPARISON ANALYSIS

PART NUMBER	PART DESCRIPTION	DATE
2473988	BUSHING	22-Sep-11

CUSTOMER	CUSTOMER NUMBER	CUSTOMER P.O. #	CUSTOMER BID #

DIMENSION NO.	NOMINAL VALUE	TOL +/-	MOHAWK PART	TTT SAMPLE PART
1	1.506	0.005	1.508	1.508
2	1.8782	0.005	1.8785	1.8775
3	1.188	0.005	1.189	1.251
4	L.H. & R.H. OIL GROOVES		L.H. & R.H. OIL GROOVES	L.H. & R.H. OIL GROOVES
5				
6				
7				
8				
9				
10				
11				
12				
13				
14				
15				
16				
17				
18				
19				
20				

COMMENTS

THE MOHAWK PART IS DIMENSIONALLY EQUIVALENT TO THE OEM PART BASED ON THE TOLERANCES LISTED ABOVE

*TTT= TRUCK TRAILER TRANSIT

PREPARED BY	PHONE NO.	FAX NO.
D. BROERS-MECHANICAL ENGINEER	847-647-9350 x216	847-647-1592

Exova
194 Internationale Boulevard
Glenview Heights
Illinois
USA
60139

T: +1 (630) 221-0385
F: +1 (630) 221-0795
E: sci@exova.com
W: www.exova.com



Test Certificate

Mohawk Mfg. & Supply Co.
7200 N. Oak Park
Niles, IL
60714

REF No
Page
Ord No
Date Tested
Date Printed
Date Received

T 117385 : Issue 1
1 of 1
Per Don Broers
09/28/11
09/28/11
09/24/11

Attn: Don Broers

Item - CHEMICAL ANALYSIS OF SPECIMEN #4: 2473988-MOH SAMPLE (BUSHING)
Specification - Not Applicable

Chemical Analysis														Comments
	Cu [%]	Sn [%]	Zn [%]	Pb [%]	P [%]	Ni [%]	Fe [%]	Al [%]	Sb [%]	Si [%]	S [%]			
001:	80.8	6.60	3.90	7.84	.031	.51	.12	<.01	.22	<.005	.024	See Below		
Analysis by ICP, OES, Combustion and/or Gravimetric Methods. Details available upon request.														

Certificate Comments

The submitted sample classifies as **CDA C93200**.
Copper Reported by Difference

Hosein Shahnazi
Chemistry Department Manager
For and on behalf of
Exova Inc.

The recording of data, set-backs or fact-based statements or entries may be permitted as a felony under federal law. This certificate should not be reproduced other than in full, without the written approval of Exova, 194 Internationale Blvd, Glenview Heights, IL, USA, 60139. These results pertain only to the item(s) tested as sampled by the client unless otherwise indicated. Testing has been conducted to specification test levels as described in the laboratory's document control procedure. Information regarding estimate of measurement uncertainty (where appropriate) available upon request.



Exova
194 Internationale Boulevard
Glen Dale, Heights
Illinois
USA
60139

T: +1 (630) 221-0385
F: +1 (630) 221-0796
E: sales@exova.com
W: www.exova.com



Test Certificate

Mohawk Mfg. & Supply Co.
7200 N. Oak Park
Niles, IL
60714

REF No
Page
Ord No
Date Tested
Date Printed
Date Received

T 117386 : Issue 1
1 of 1
Per Don Broers
09/27/11
09/28/11
09/24/11

Attn: Don Broers

Item - CHEMICAL ANALYSIS OF SPECIMEN #5: 2473988-TTT SAMPLE (BUSHING)

Specification - Not Applicable

Chemical Analysis														Comments
	Cu [%]	Sn [%]	Zn [%]	Pb [%]	P [%]	Ni [%]	Fe [%]	Al [%]	Sb [%]	Si [%]	S [%]			
001:	81.5	6.71	3.54	7.49	.024	.29	.08	<.01	.28	<.005	.025			See Below
Analysis by ICP, OES, Combustion and/or Gravimetric Methods. Details available upon request.														

Certificate Comments

The submitted sample classifies as CDA C93200.
Copper Reported by Difference

Hosein Shahnazi
Chemistry Department Manager
For and on behalf of
Exova Inc.

The recording of data, sketches or illustrative statements or entries may be punished as a felony under federal law.
This certificate should not be reproduced other than in full without the written approval of Exova, 194 Internationale Blvd, Glen Dale Heights, IL, USA, 60139.
These results pertain only to the item(s) tested as sampled by the client unless otherwise indicated.
Testing has been conducted to specification revision levels as described in the laboratory's document control procedure.
Information regarding estimate of measurement uncertainty (where appropriate) available upon request.



Accredited
Nadcap
Materials Testing Laboratory

Customer Name: Mohawk MFG

DATE: 04-28-11

Part Number: 2473988

PO Number: 179953

CERTIFICATE OF COMPLIANCE

WE, _____, HEREBY CERTIFY THAT THE MATERIAL LISTED ON THE ATTACHED PACKING SLIP CONFORMS TO THE FOLLOWING SPECIFICATIONS:

C93200 PER ASTM B505, SAE660 BEARING BRONZE

CHEMICAL COMPOSITION

	Cu	Sn	Pb	Zn
Min./Max. (%)	81.0-85.0	6.3-7.5	6.0-8.0	2.0-4.0

TYPICAL PHYSICAL PROPERTIES

Tensile Strength (PSI)	Yield Strength (PSI)	Brinell Hardness @ 3000KG
35,000	20,000	70

**ISO 9001:2008
REGISTERED FIRM**





MOHAWK MFG. & SUPPLY CO.

7200 N. OAK PARK AVENUE
NILES, IL 60714
847-647-9350, Fax: 847-647-1592

Product Information Sheet WASHER

FLX	FLY	GLG	MCI	MERITOR
3-4-78	5960254	82-03398-000	4C-1-28	1229S747

NABI	NEO	NOVA	ORN	PREVOST
5011319	AK0700001-026	2012242 2068105 G1092155 G1092182	A0202519MJ	610227



Product Information:

- OUTER DIAMETER: 2.75"
- INNER DIAMETER: 1.56"
- THICKNESS: .06"
- SURFACE TREATMENT: ZINC PLATING & CLEAR CHROMATE COATING

09/29/2009
Revision A



MOHAWK MFG. & SUPPLY CO.

7200 N. OAK PARK AVENUE

NILES, IL 60714

847-647-9350, Fax: 847-647-1592

Product Information Sheet **RELAY VALVE**

BENDIX	NABI	GLG
5004699	5015879	04-42849-000
800471		



Product Information:

- R-12DC RELAY VALVE WITH BIASED DOUBLE-CHECK
- VALVE DIMENSIONS:
 - LENGTH: 4-1/4"
 - HEIGHT: 4-3/4"
 - WIDTH: 4"
- PORTS:
 - SUPPLY: 1/2" NPT (2)
 - DELIVERY: 1/2" NPT (2)
 - PRIMARY CONTROL PORT: 1/4" NPT
 - SECONDARY CONTROL PORT: 1/4" NPT
- 5.5 PSI CRACK PRESSURE
- L-SHAPED MOUNTING BRACKET INCLUDED WITH TWO Ø .38" HOLES AND TWO .40 " x .96" SLOTS
- MOHAWK LOGO ON PART FOR EASY IDENTIFICATION

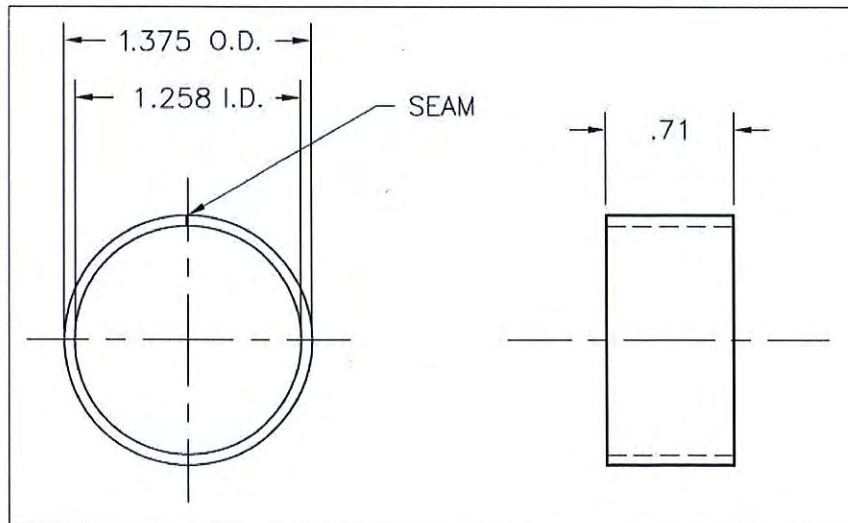


MOHAWK MFG. & SUPPLY CO.

7200 N. OAK PARK AVENUE
NILES, IL 60714
847-647-9350, Fax: 847-647-1592

Product Information Sheet BUSHING

FLX	FLY	GLG	MERITOR	NABI	NOVA
92-1002-29	6329692	82-03291-000	1225F266	6300821	N8889008



Product Information:

- ANCHOR PIN SHOE BUSHING
- MATERIAL: BRONZE ON STEEL CLEVITE 10 OR EQUIVALENT



MOHAWK MFG. & SUPPLY CO.

7200 N. OAK PARK AVENUE

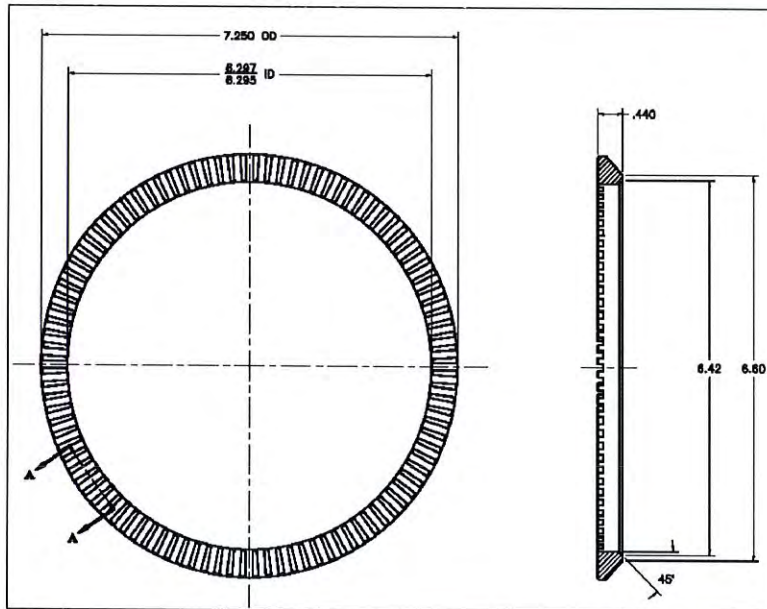
NILES, IL 60714

847-647-9350, Fax: 847-647-1592

Product Information Sheet

EXCITER RING

FLY	GLG	GMC	MFR	NEO	ORN	RWL
6329671	82-19170-002	N8889025	09002134 09002134EJ10 3237Y1195	OJ0800001-024	F0102518BW	09002134 3237Y1195



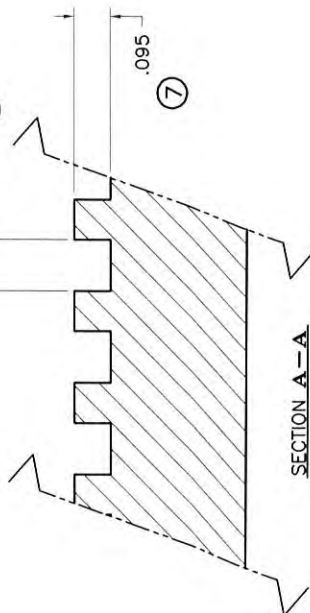
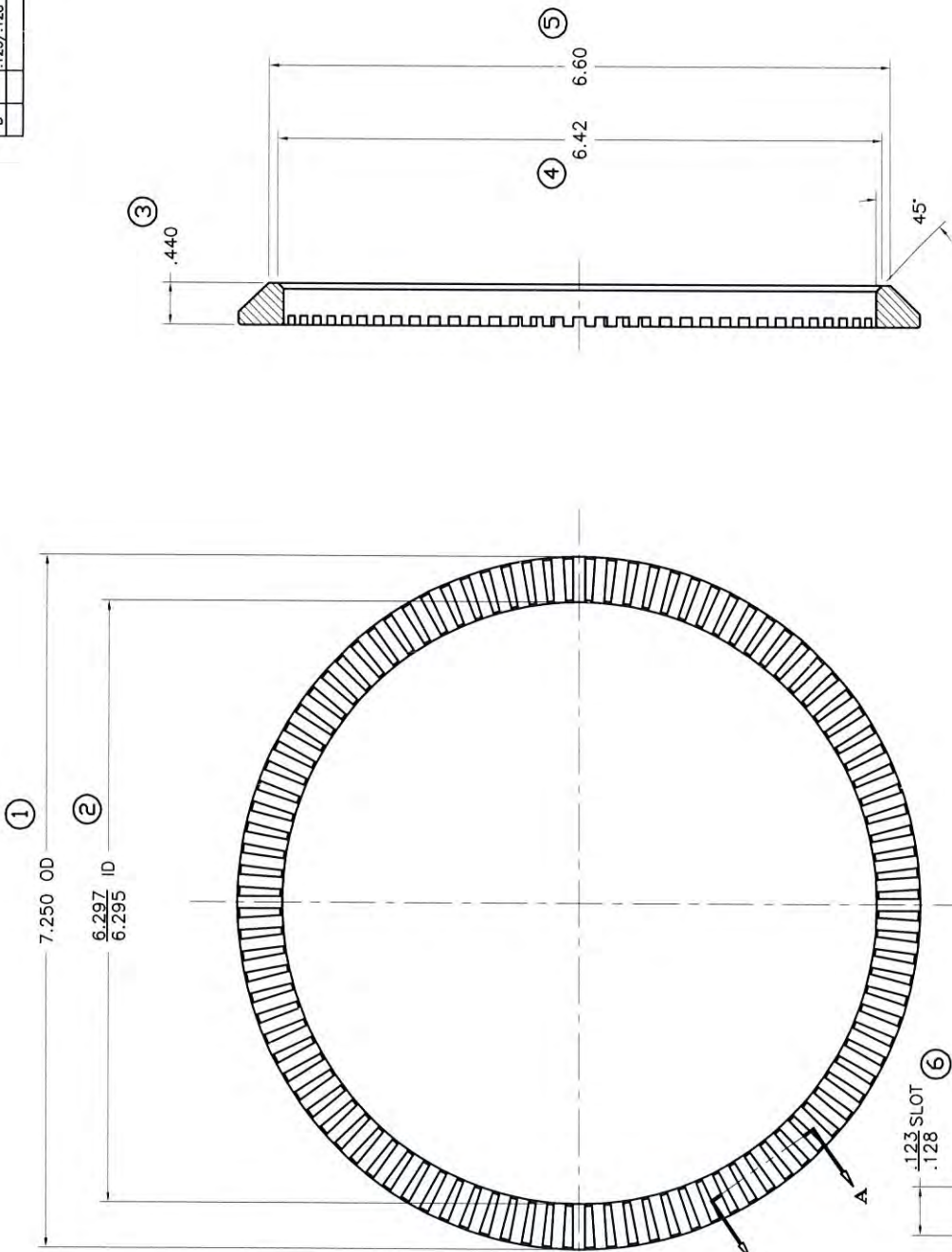
Product Information:

- .44" OVERALL WIDTH
- 6.29" INNER DIAMETER
- 7.25" OUTER DIAMETER
- 100 SLOTS EVENLY SPACED, .123 WIDE
- YELLOW ZINC PLATING

10/23/2007
Revision A

REVISIONS	
LTR NO.	DESCRIPTION
A	NEW DRAWING
B	.123/.128 WAS .124/.128

DATE:
01/09/03
07/02/03



SECTION A-A
SCALE 4:1
100 SLOTS EQUALLY SPACED

- NOTES:
 1. PART TO BE FREE FROM ALL BURRS AND SHARP EDGES
 2. PART TO HAVE A 63 RMS MACHINE FINISH ALL OVER

MATERIAL: L.C. C.D. STEEL TUBING SAE 1026 OR EQUAL	THIS DRAWING CONTAINS PROPRIETARY INFORMATION WHICH IS THE PROPERTY OF THE DRAWING INSTRUMENTAL TO THE INTEREST OF THE DRAWER	DRAWN BY: STK	APPROVED BY: RWS	SCALE: FULL
HEAT TREATMENT: NONE	TOLERANCE ON DIMENSIONS UNLESS OTHERWISE SPECIFIED 2 PLACE DECIMALS ± .005 FRACTIONS IN 1/16" ANGULAR ± 1/2°	DATE: 01/08/03	DATE: 01/09/03	SIZE: C
SURFACE TREATMENT: ZINC PLATE -.0002 - .0004 YELLOW CHROMATE COATING	PART DESCRIPTION: EXCITER-RING	PART NO.: N8889025		



MOHAWK MFG. & SUPPLY CO.
 7200 N. OAK PARK AVE. NILES, ILLINOIS 60714
 (847) 647-9350, FAX (847) 647-1592

DIMENSIONAL COMPARISON ANALYSIS

PART NUMBER	PART DESCRIPTION	DATE
N8889025	EXCITER RING	

CUSTOMER	CUSTOMER NUMBER	CUSTOMER P.O. #	CUSTOMER BID #

DIMENSION NO.	NOMINAL VALUE	TOL +/-	MOHAWK PART	OEM PART
1	7.250 OD	0.005	7.247	7.246
2	6.296 ID	0.001	6.296	6.295
3	0.440	0.005	0.438	0.443
4	6.42	0.01	6.42	6.41
5	6.60	0.01	6.61	6.60
6	.123 / .128 SLOT WIDTH		0.124	0.123
7	.095 SLOT DEPTH	0.005	0.094	0.097
8	SLOTS		100 EQUALLY SPACED	100 EQUALLY SPACED
9				
10				
11				
12				
13				
14				
15				
16				
17				
18				
19				
20				

COMMENTS

THE MOHAWK PART IS DIMENSIONALLY EQUIVALENT TO THE OEM PART BASED ON THE TOLERANCES LISTED ABOVE.

PREPARED BY	PHONE NO.	FAX NO.
C. TATAK - ENGINEER	847-647-9350 x216	847-647-1592

Bodycote Testing Group, Chicago Laboratory, 7530 Frontage Road, Skokie, Illinois, 60077-3213
Tel: 847 676 2100, Fax: 847 676 2132

Test Certificate

Mohawk Mfg. & Supply Co.
7200 N. Oak Park
Niles, IL

REF No
Ord No

T711105 : Issue 1
per Chris

Date Tested 09/28/07
Date Printed 10/04/07
Date Received 09/20/07

60714

Attn: Chris Tatak

Item - CHEMISTRY OF ONE SPECIMEN SAMPLE IDENTIFIED AS P/N
N8889025 - EXCITER RING

Specification - Not Applicable

Chemical Analysis												
	C [%]	Mn [%]	P [%]	S [%]	Si [%]	Ni [%]	Cr [%]	Mo [%]	Cu [%]			Comments
001:	.29	.65	.007	.020	.20	.08	.09	.03	.11			ASTM 1029
Analysis by ICP, OES, Combustion and/or Gravimetric Methods. Details available upon request.												

Certificate Comments

This is an electronic copy. See original certificate for photographs and figures WHERE REFERENCED.



.....
Michael C Fec
Section Manager/Metallurgist
For and on behalf of
Bodycote Testing Group



MOHAWK MFG. & SUPPLY CO.

7200 N. OAK PARK AVENUE

NILES, IL 60714

847-647-9350, Fax: 847-647-1592

Product Information Sheet OIL SEAL

FLX	FLY	GLG	GMC	MCI
97-2447-196	5942748	82-02241-000	2025816	4F-4-14
97-5341-169	6322406	82-19602-017	G1092183 N8888912	4L-1-28

NEO	ORN	PREVOST	RWL
AK0700001-015 AK0700001-316 AK0800001-091 HIQ00451	A0102502NB E0102548AD	621115	A-1205V1556



Product Information:

- BLACK NITRILE SEAL
- SPRING REINFORCED
- DIMENSIONS:
 - 1.500" SHAFT SIZE
 - 2.067" OUTER DIAMETER
 - .243" WIDTH
- MOHAWK NAME AND PART NUMBER ON PART FOR EASY IDENTIFICATION

02/13/2009
Revision A

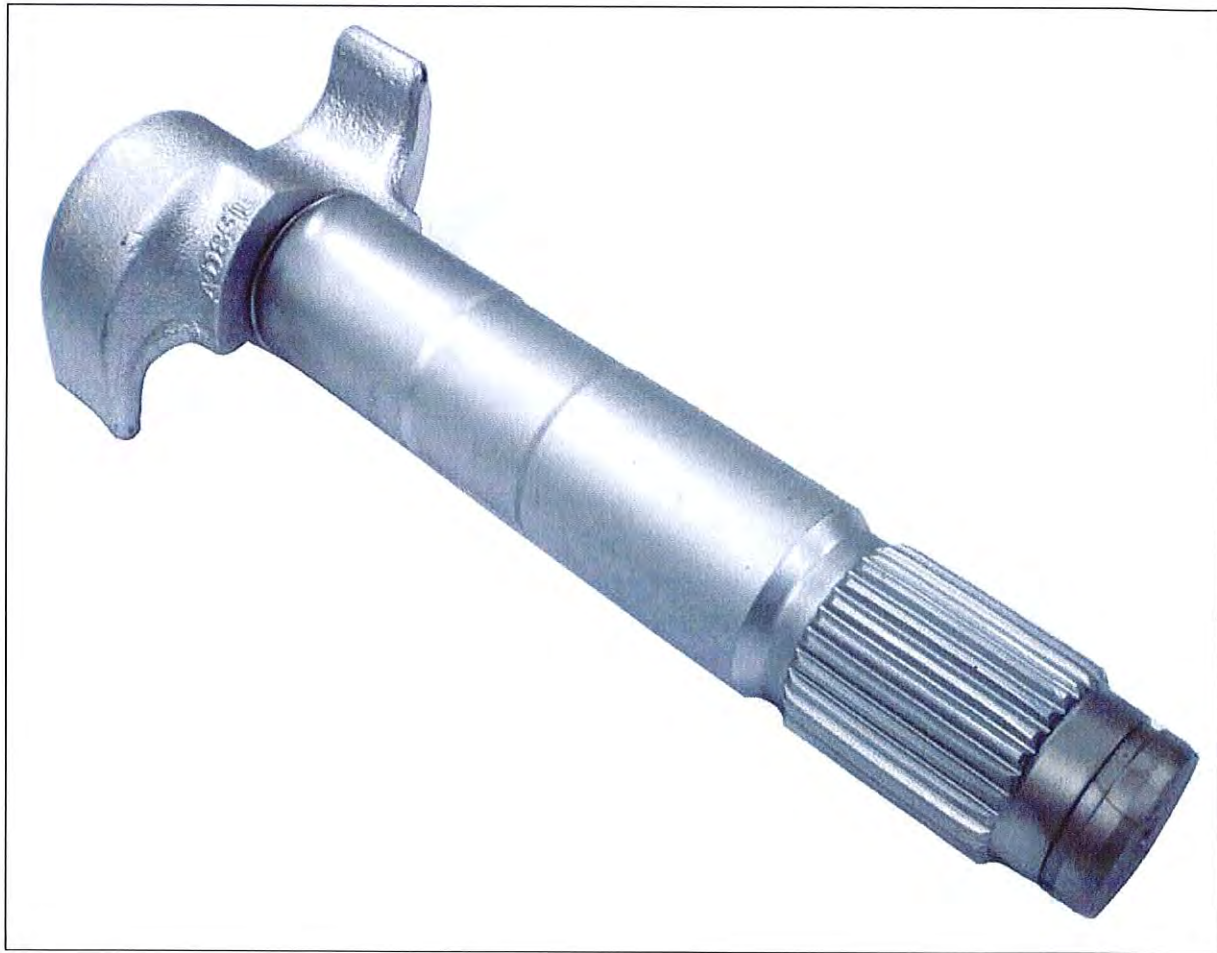


MOHAWK MFG. & SUPPLY CO.

7200 N. OAK PARK AVENUE
NILES, IL 60714
847-647-9350, Fax: 847-647-1592

Product Information Sheet **CAMSHAFT, LEFT HAND**

GLG	NABI	MERITOR	NEO	NOVA	ORN
82-19640-003	6300812 6900719	2210Z8398	OJ0800001-047	N8887715	F0102519AB



Product Information:

- MATERIAL: SAE 1046 OR EQUIVALENT
- HEAT TREATMENT: HARDENED Rc 55 – 61
- SURFACE TREATMENT: HARD CHROME PLATING
- EFFECTIVE LENGTH: 7.75"
- BUSHING JOURNAL DIAMETER: 1.50"
- HEAD TYPE: SINGLE 'S'
- NUMBER OF TEETH ON SPLINE: 28

10/14/2009
Revision A

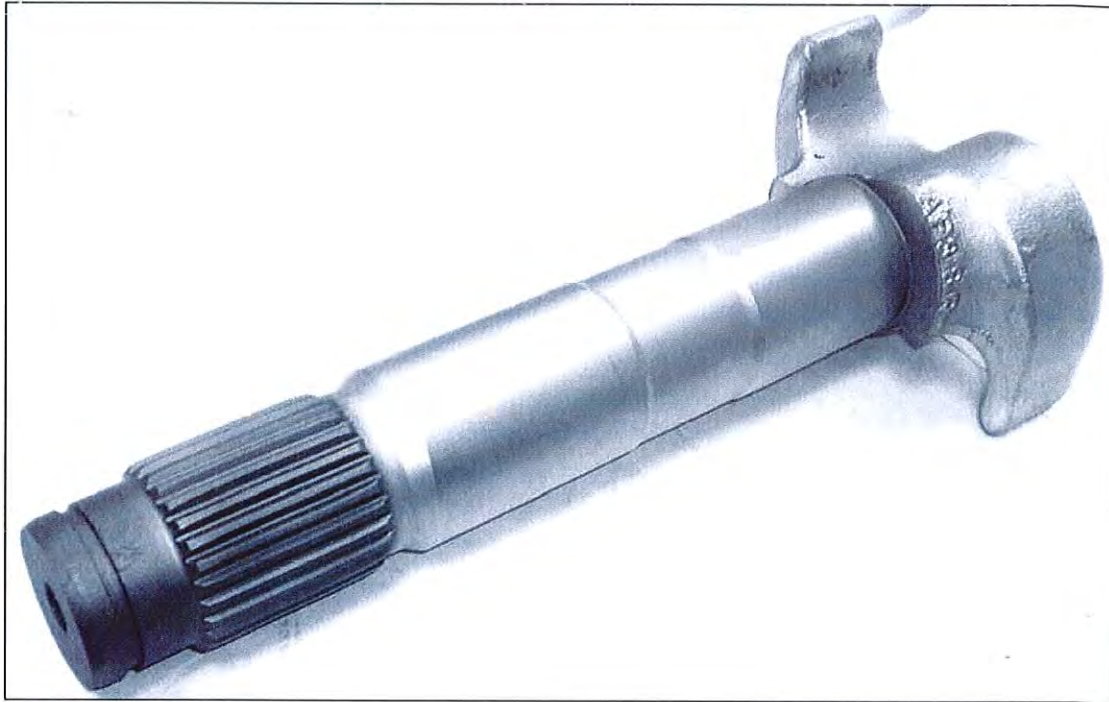


MOHAWK MFG. & SUPPLY CO.

7200 N. OAK PARK AVENUE
NILES, IL 60714
847-647-9350, Fax: 847-647-1592

Product Information Sheet **CAMSHAFT, RIGHT HAND**

FLY	GLG	NABI	MERITOR	ORN
6329816	82-19651-003 OJ0800001-063	6300813 6900720	2210Y8397	F0102519AD



Product Information:

- MATERIAL: SAE 1043M / 1045 OR EQUIVALENT
- HEAT TREATMENT: HARDENED Rc 55 – 61
- SURFACE TREATMENT: HARD CHROME PLATING
- EFFECTIVE LENGTH: 7.75"
- BUSHING JOURNAL DIAMETER: 1.50"
- HEAD TYPE: SINGLE 'S'
- NUMBER OF TEETH ON SPLINE: 28

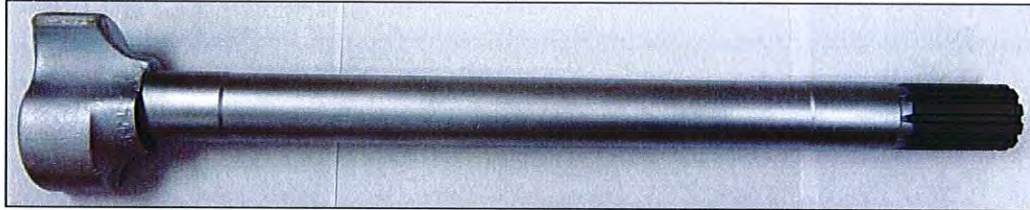


MOHAWK MFG. & SUPPLY CO.

7200 N. OAK PARK AVENUE
NILES, IL 60714
847-647-9350, Fax: 847-647-1592

Product Information Sheet **CAMSHAFT (L.H.)**

FLX	GLG	MERITOR
97-4137-00210	82-06793-001	2210L6538



Product Information:

- DIMENSIONS:
 - HEAD TO GROOVE LENGTH: 18.5"
 - BUSHING JOURNAL DIAMETER: Ø1.5"
 - SPLINES: 10 EXTERNAL SPLINES, Ø1.5"
- LEFT HAND W PROFILE SERIES
- MATERIAL: SAE 1043M OR EQUIVALENT
- HEAT TREATMENT: QUENCH AND TEMPER, ROCKWELL 'C' 55-61
- SURFACE TREATMENT: HARD CHROME PLATING
- 82-06793-000 IS RIGHT HAND PROFILE



MOHAWK MFG. & SUPPLY CO.

7200 N. OAK PARK AVENUE

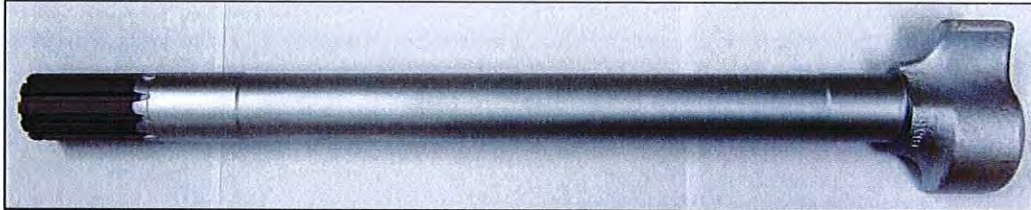
NILES, IL 60714

847-647-9350, Fax: 847-647-1592

Product Information Sheet

CAMSHAFT (R.H.)

FLX	GLG	MERITOR
97-4137-00209	82-06793-000	2210K6537



Product Information:

- DIMENSIONS:
 - HEAD TO GROOVE LENGTH: 18.5"
 - BUSHING JOURNAL DIAMETER: Ø1.5"
 - SPLINES: 10 EXTERNAL SPLINES, Ø1.5"
- RIGHT HAND W PROFILE SERIES
- MATERIAL: SAE 1043M OR EQUIVALENT
- HEAT TREATMENT: QUENCH AND TEMPER, ROCKWELL 'C' 55-61
- SURFACE TREATMENT: HARD CHROME PLATING
- 82-06793-001 IS LEFT HAND PROFILE

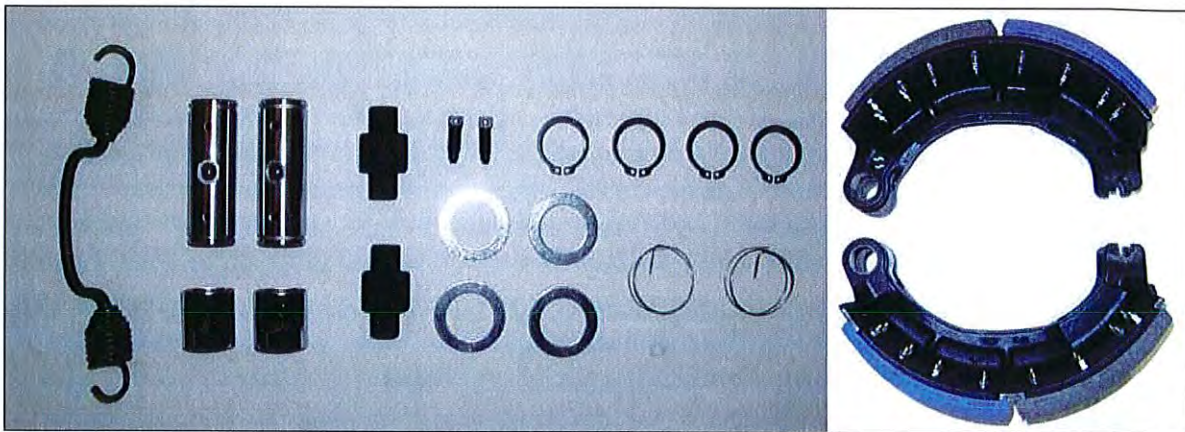


MOHAWK MFG. & SUPPLY CO.

7200 N. OAK PARK AVENUE
NILES, IL 60714
847-647-9350, Fax: 847-647-1592

Product Information Sheet **BRAKE KIT**

MOHAWK	RWL	GLG
MBK-3167	KSMA618T4728CP KSR610728CP1 KSR6104728CP1	82-60152-000



Product Information:

- PARTS INCLUDED IN KIT
 - (2) N8888893 – ANCHOR PIN
 - (2) 6300809 – BUSHING
 - (2) N8888880 – SET SCREW
 - (2) N8889074 – LOCK WIRE
 - (4) N8888894 – WASHER
 - (4) 2084253 – RING
 - (1) N8888878 – SPRING
 - (2) 82-19602-009 – ROLLER
 - (2) F0202523GB-M LINED BRAKE SHOES



MOHAWK MFG. & SUPPLY CO.

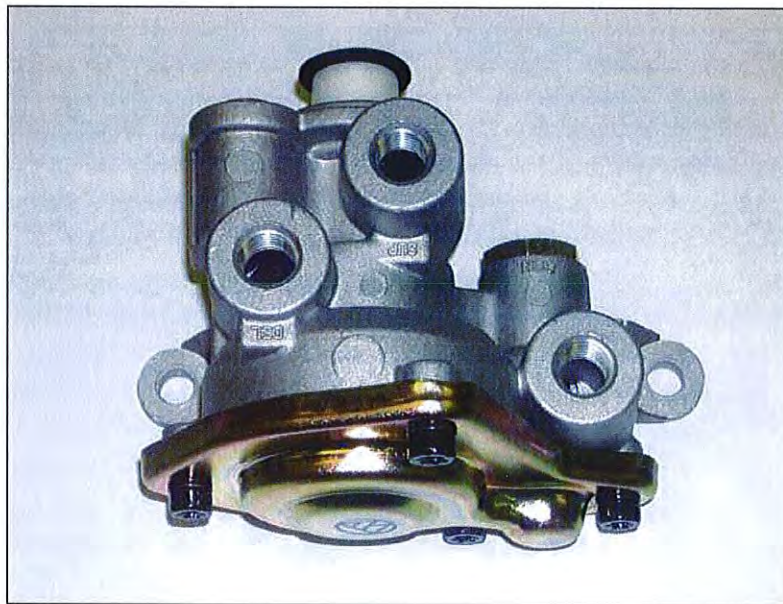
7200 N. OAK PARK AVENUE
NILES, IL 60714
847-647-9350, Fax: 847-647-1592

Product Information Sheet

VALVE

B/W	FLX	FLY	GLG	MAN	MCI
286364	97-2214-00001	5994884	53-00467-000	86.50400.001	04-22-1002

NABI	NEO	NOVA	ORN	PREVOST
416.00-3804-751	AA1102006 AB1102021	717894	011223503 021236004	640870



Product Information:

- 55 PSI RESERVOIR TRIP PRESSURE
- GENERAL REFERENCE DIMENSIONS
 - LENGTH: 5.6"
 - HEIGHT: 4.2"
 - WIDTH: 3.5"
 - MOUNTING HOLE DIAMETER: .344"
 - MOUNTING HOLE DISTANCE: 4.65" Center-to-Center
- VALVE PORTS
 - SUPPLY: 1/4" N.P.T.
 - DELIVERY: 1/4" N.P.T.
 - #1 SERVICE RESERVOIR: 1/4" N.P.T.
 - CONTROL: 1/4" N.P.T.
- MOHAWK LOGO STAMPED ON PART FOR EASY IDENTIFICATION

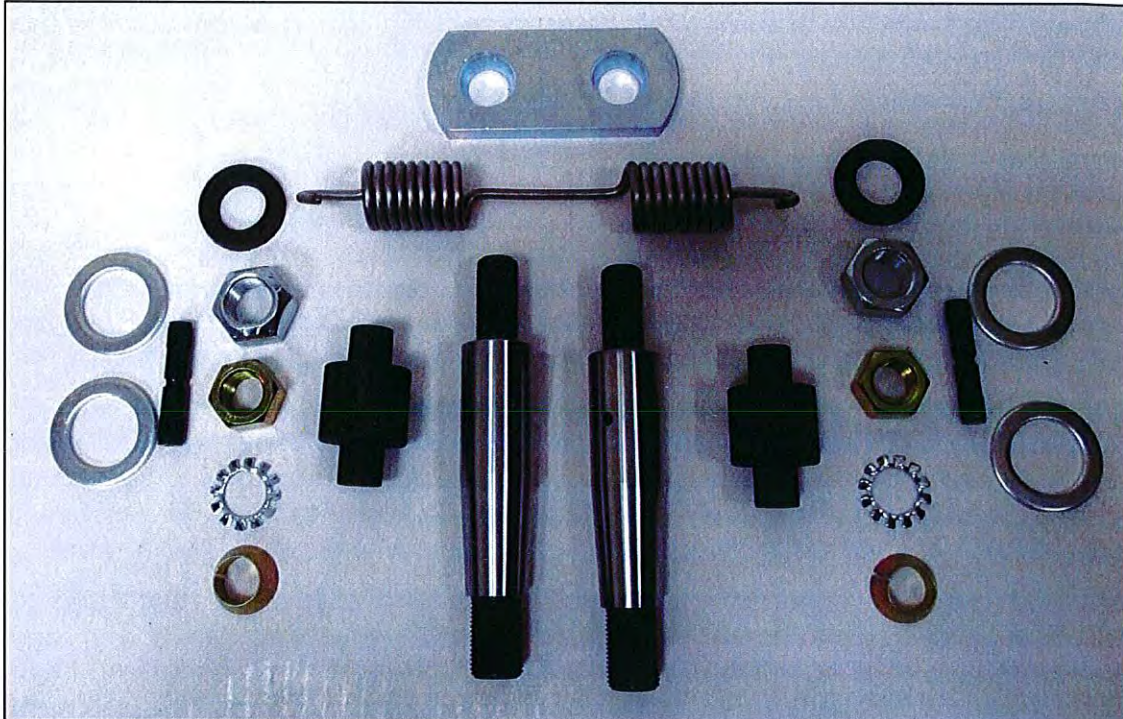


MOHAWK MFG. & SUPPLY CO.

7200 N. OAK PARK AVENUE
NILES, IL 60714
847-647-9350, Fax: 847-647-1592

Product Information Sheet **BRAKE KIT MINOR**

MOH	GLG
MO-KIT6065	82-52959-000



Product Information:

- KIT INCLUDES:
 - 2385280 WASHER – 4X
 - 9414953 NUT – 2X
 - 9422310 LOCK NUT – 2X
 - 2400299 WASHER – 2X
 - 82-08150-004 WASHER – 2X
 - 2259326 STRAP – 1X
 - 2259327 DOWEL – 2X
 - 2374466 PIN – 2X
 - 2426734 PIN – 2X
 - 2487932 ROLLER – 2X
 - 82-39881-000 SPRING – 1X



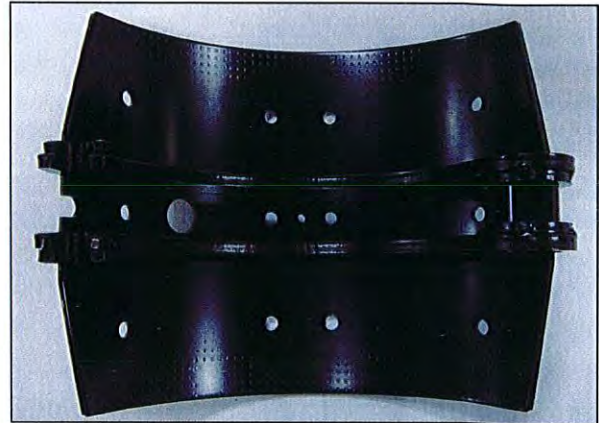
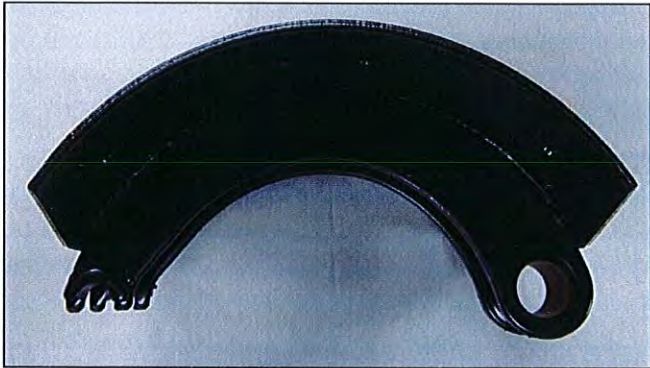
MOHAWK MFG. & SUPPLY CO.

7200 N. OAK PARK AVENUE
 NILES, IL 60714
 847-647-9350, Fax: 847-647-1592

Product Information Sheet
BRAKE SHOE

FLX	FLY	GLG	NOVA	NABI	MCI
04-0219-00813	076142	82-11682-000 82-01383-000	2487930	5005247 5013216 5960302	4J-1-19 4J-4-19

PRV	RWL	ORN
620486 700266	A13722R824 A13722L688	E0202561AG



Product Information:

- DIMENSIONS:
 - BRAKE DIAMETER: Ø 14.50"
 - BRAKE SHOE WIDTH: 10.00"
- INCLUDES BRONZE BUSHING
- BRAKE TYPE: W
- FMSI: 4592
- STAMPED WITH MOHAWK LOGO & PART NUMBER FOR IDENTIFICATION
- KIT IS #MO-KIT6101ACL



MOHAWK MFG. & SUPPLY CO.

7200 N. OAK PARK AVENUE
NILES, IL 60714
847-647-9350, Fax: 847-647-1592

Product Information Sheet
WASHER

GLG

82-04878-000



Product Information:

- DIMENSIONS:
 - OUTER DIAMETER: Ø1.87"
 - INNER DIAMETER: Ø1.27"
 - THICKNESS: 0.03"
- MATERIAL: COMMERCIAL QUALITY STEEL OR EQUIVALENT



MOHAWK MFG. & SUPPLY CO.

7200 N. OAK PARK AVENUE

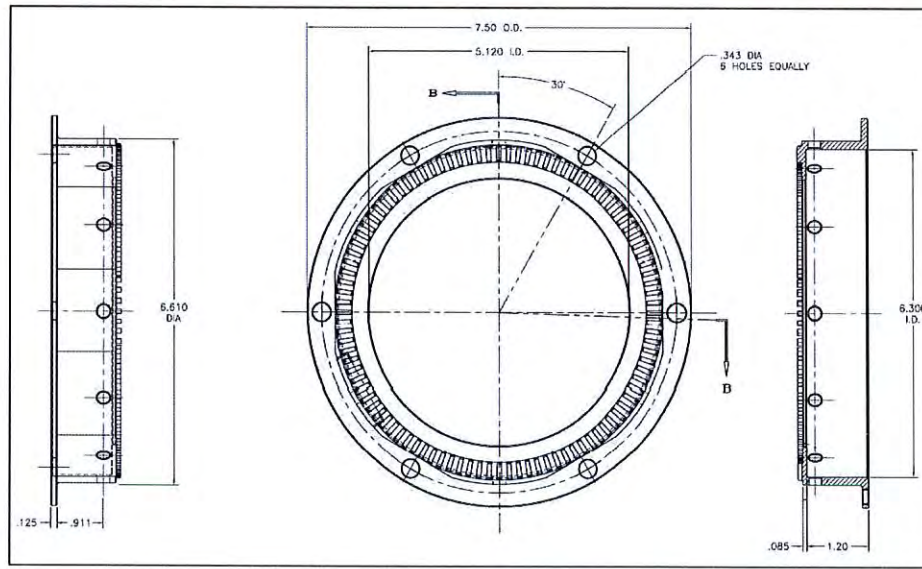
NILES, IL 60714

847-647-9350, Fax: 847-647-1592

Product Information Sheet

EXCITER RING

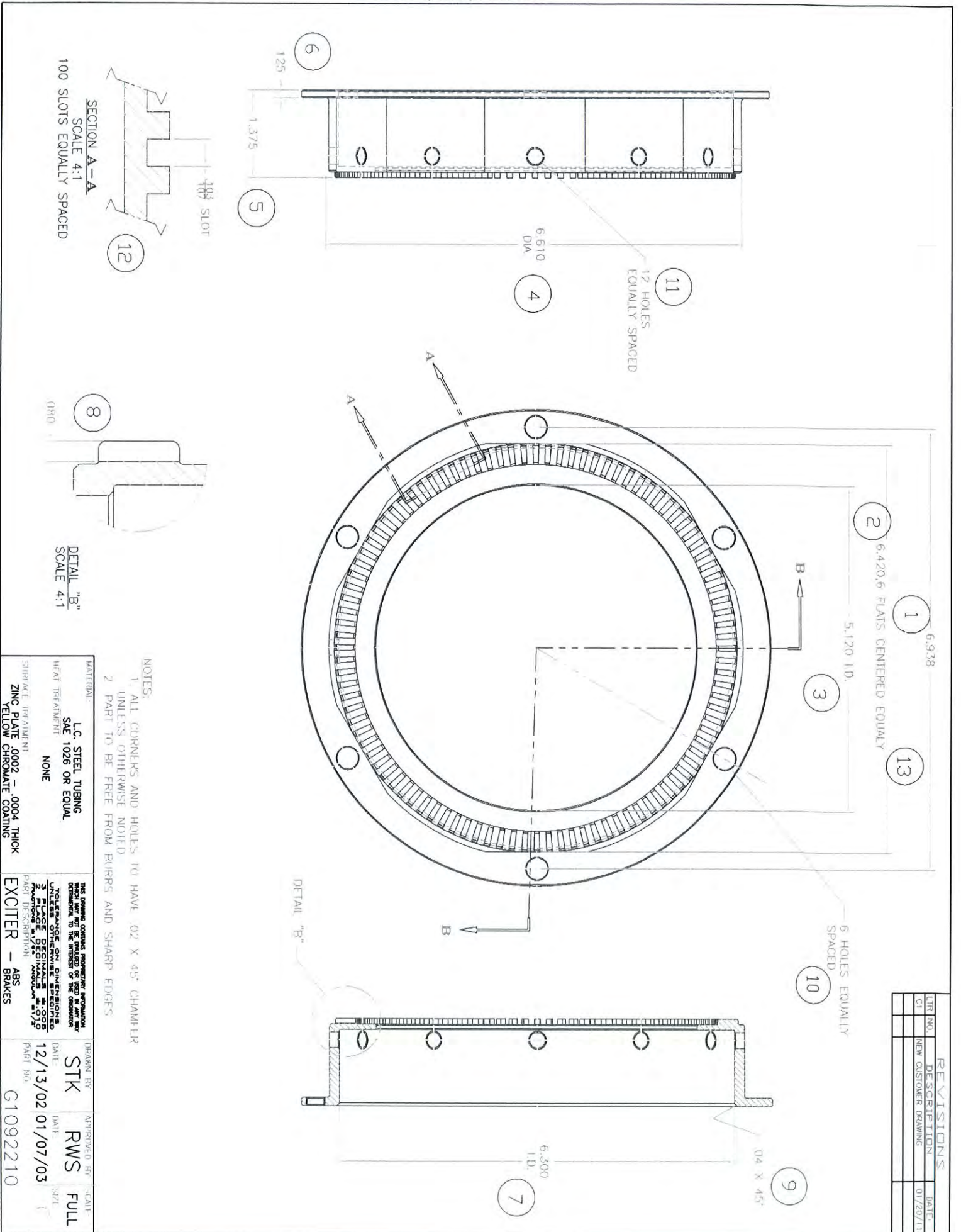
GLG	NOVA	NABI	MCI	NEO	RWL	PREVOST
82-15537-000	G1092210	5009070	15L-3-4	LG0700502-002	3237Q1031	621519



Product Information:

- 1.38" OVERALL WIDTH
- 5.12" INNER DIAMETER
- 7.50" OUTER DIAMETER
- 100 SLOTS EVENLY SPACED, .103 WIDE

08/30/2010
Revision B



SECTION A-A
SCALE 4:1
100 SLOTS EQUALLY SPACED

DETAIL "B"
SCALE 4:1

NOTES:
1 ALL CORNERS AND HOLES TO HAVE .02 X 45° CHAMFER UNLESS OTHERWISE NOTED.
2 PART TO BE FREE FROM BURRS AND SHARP EDGES.

DRAWN BY: STK
DATE: 12/13/02
APPROVED BY: RWS
DATE: 01/07/03
SCALE: FULL

MATERIAL: L.C. STEEL TUBING SAE 1026 OR EQUAL
HEAT TREATMENT: NONE
SURFACE TREATMENT: ZINC PLATE .0002 - .0004 THICK YELLOW CHROMATE COATING

THIS DRAWING CONTAINS PROPRIETARY INFORMATION FROM LUTZ AND IS NOT TO BE REPRODUCED OR USED IN ANY MANNER WITHOUT THE WRITTEN PERMISSION OF LUTZ.
UNLESS OTHERWISE SPECIFIED, DIMENSIONS ARE IN INCHES AND DECIMALS THEREOF.
3 PLACE DECIMALS = .0005
2 PLACE DECIMALS = .0015
1 PLACE DECIMAL = .0025
PART DESCRIPTION: EXCITER - ABS BRAKES

PART NO: G1092210



MOHAWK MFG. & SUPPLY CO.
 7200 N. OAK PARK AVE. NILES, ILLINOIS 60714
 (847) 647-9350, FAX (847) 647-1592

DIMENSIONAL COMPARISON ANALYSIS

PART NUMBER	PART DESCRIPTION	DATE
G1092210	EXCITER - RING	

CUSTOMER	CUSTOMER NUMBER	CUSTOMER P.O. #	CUSTOMER BID #

DIMENSION NO.	NOMINAL VALUE	TOL +/-	MOHAWK PART	OEM PART
1	6.938	0.005	6.938	6.938
2	6.420	0.005	6.423	6.424
3	5.120	0.005	5.120	5.115
4	6.610	0.005	6.611	6.614
5	1.375	0.005	1.375	1.375
6	0.125	0.005	0.125	0.125
7	6.300	0.005	6.300	6.300
8	0.080	0.005	0.0775	0.0775
9	.040 x 45 DEG. CHAMFUR		.040 x 45 DEGREES	.040 x 45 DEGREES
10	6 HOLES EQUALLY SPACED (FLANGE)		6 HOLES EQ. SPACED (FLANGE)	6 HOLES EQ. SPACED (FLANGE)
11	12 HOLES EQUALLY SPACED (O.D.)		12 HOLES EQ. SPACED (O.D.)	12 HOLES EQ. SPACED (O.D.)
12	100 SLOTS 0.103MIN/0.107MAX WIDE		100 SLOTS 0.103MIN/0.107MAX WIDE	100 SLOTS 0.103MIN/0.107MAX WIDE
13	6 FLATS CENTERED EQUALLY		6 FLATS CENTERED EQUALLY	6 FLATS CENTERED EQUALLY
14				
15				
16				
17				
18				
19				
20				

COMMENTS

THE MOHAWK PART IS DIMENSIONALLY EQUIVALENT TO THE OEM PART BASED ON THE TOLERANCES LISTED ABOVE

A SAMPLE OF THE MOHAWK PART AND OEM PART WERE CHECKED THREE TIMES EACH FOR HARDNESS AT MOHAWK'S QC LAB. SEE RESULTS BELOW.

MOHAWK PART 85, 85, 86 ROCKWELL B SCALE
 OEM PART 89, 89, 87 ROCKWELL B SCALE

PREPARED BY	PHONE NO.	FAX NO.
D. LAKICKAS - ENGINEERING MANAGER	847-647-9350 EXT 220	847-647-1592

Exova
194 International Boulevard
Glendale Heights
Illinois
USA
60139

T: +1 (630) 221-0305
F: +1 (630) 221-0796
E: sales@exova.com
W: www.exova.com



Test Certificate

Mohawk Mfg. & Supply Co.
7200 N. Oak Park
Niles, IL
60714

REF No
Page
Ord No
Date Tested
Date Printed
Date Received

T 208183 : Issue 1
1 of 1
Per Dave Lakickas
04/25/12
04/25/12
04/23/12

Attn: Dave Lakickas

- Item - CHEMICAL ANALYSIS OF TWO EXCITER RING SAMPLES IDENTIFIED AS
#1: G1092210-OEM AND #2: G1092210-MOH
- Specification - Not Applicable

Chemical Analysis														Comments
	C [%]	Mn [%]	P [%]	S [%]	Si [%]	Ni [%]	Cr [%]	Mo [%]	Cu [%]	Al [%]				
001:	.26	.85	.008	.023	.26	.09	.08	.04	.19	.03				See Below
002:	.28	.83	.009	.019	.25	.11	.10	.04	.21	.04				See Below
Analysis by ICP, OES, Combustion and/or Gravimetric Methods. Details available upon request.														
Item 01:	#1:G1092210-OEM													
Item 02:	#2:G1092210-MOH													

Certificate Comments

The composition of both samples is similar to AISI 1026 and 1028 steel. Sample 002 also meets AISI 1030 steel.

Hoseln Shahnazi
Chemistry Department Manager
For and on behalf of
Exova Inc.

The reprinting of false, fictitious or fraudulent statements or copies may be punished as a felony under Federal law.
This certificate should not be reproduced other than in full, without the written approval of Exova, 194 International Blvd, Glendale Heights, IL, USA, 60139
These results pertain only to the item(s) tested as sampled by the client unless otherwise indicated.
Testing has been conducted to specification revision levels as described in the laboratory's document control procedure.
Information regarding automatic inclusion of measurement uncertainty (where appropriate) available upon request.



Accredited
Nadcap
Materials Testing Laboratory



MOHAWK MFG. & SUPPLY CO.

7200 N. OAK PARK AVENUE
NILES, IL 60714
847-647-9350, Fax: 847-647-1592

Product Information Sheet **BRAKE DRUM**

GLG
82-24490-000
82-32825-002

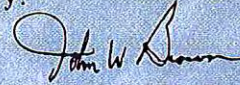


Product Information:

- HOLE ID: 1.28" – 10X ON 11.25" BOLT CIRCLE
- BRAKE FACE DIA: 16.50"
- OVERALL DEPTH: 9.54"
- HUB PILOT: 8.78"

To Our Customers:

Mohawk Mfg. & Supply Co. is dedicated to having the most satisfied customers in the industry. Our commitment to customer satisfaction is supported by our primary goals of providing our customers with the best possible products, superior service, and competitive prices...**Quality, Service and Value**. Moreover, Mohawk backs up this promise with the best warranty coverage in the industry.



John (Jack) Brown, President

Mohawk Mfg. & Supply Co. New Parts Standard Warranty



Mohawk Mfg. & Supply Co., as the supplier, warrants each new replacement part to be free from defects in material or workmanship affecting its function in normal use and service.

Mohawks liability under this warranty is limited to the replacement of such defective part when returned within one (1) year of date of sale or installation (The Warranty Period).

Mohawks obligations under the above stated warranty are granted in lieu of all other warranties, expressed or implied, including implied warranties as to fitness for a particular purpose. In no event shall Mohawk be liable to buyer, in contract or otherwise, for any special, indirect, incidental or consequential damages.

Mohawk Service

Ordering Information: Mohawk Customer Service Representatives are available to serve you between the hours of 7:00 a.m. and 7:00 p.m. central standard time (Monday through Friday).

Our Toll-Free Number Is **800-323-7652**

Our Fax Number Is 847-647-1499

Our Web site is www.mohawkmfg.com

Shipping/Freight Policy:

- Freight is prepaid on all orders for \$50 or more for shipment within the 48 contiguous United States.
- At the customers request, Mohawk will prepay the freight for air or special handling, adding it to the customers final invoice.

Pricing: Market conditions may require prices to change without notice. Prices shown are net and do not include any taxes.

Payment: Net 30 days. Mohawk will accept Visa or MasterCard as alternate forms of payment.

Return Policy: Authorization is required to return parts for any reason. Contact your Customer Service Representative (CSR) for a Returned Goods Authorization (RGA). Upon authorization, your CSR will direct disposition of parts. A restocking fee of 15% may be charged on returned parts.